

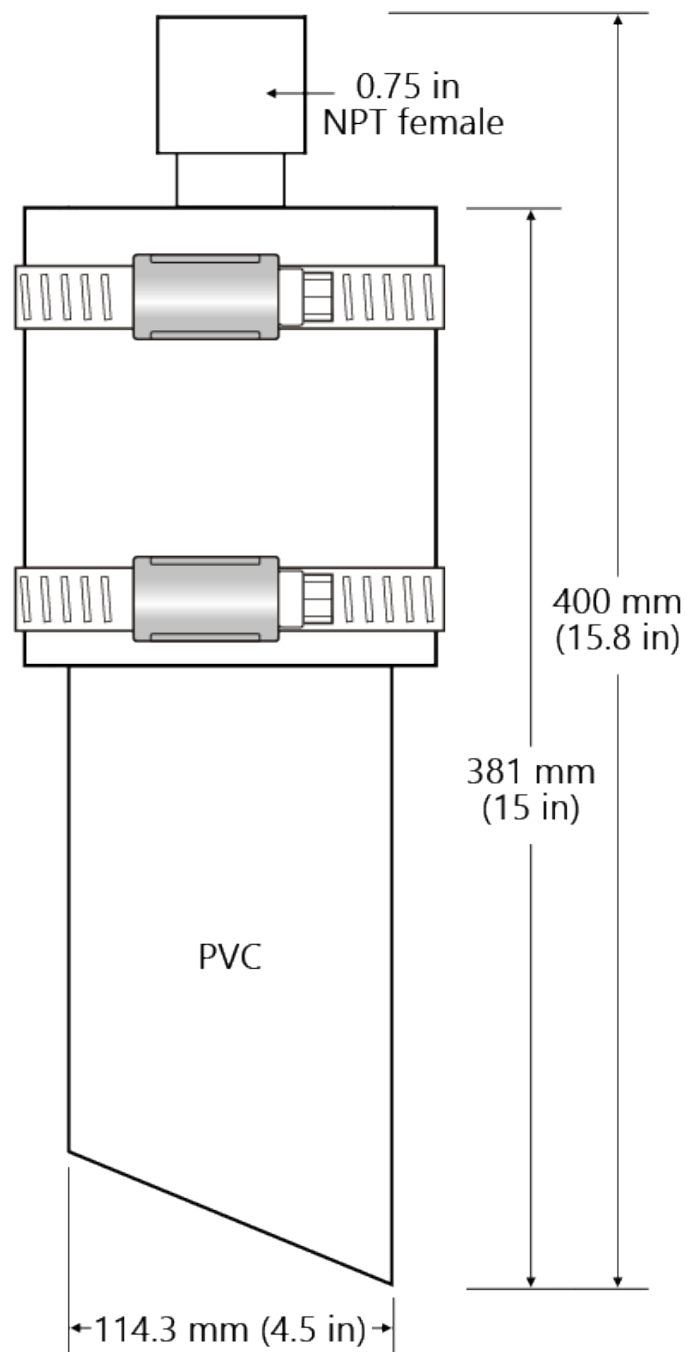
SBMS Submergence Shield

DATASHEET

Use with Pulsar PZ series Ultrasonic level Sensors to prevent sensor fouling and false readings during accidental submergence.

Instructions

1. Mount with conduit/pipe connection to 3/4" NPT Female coupling on PZ sensor.
2. Locate Submergence Shield 0.1 m (3.9 in) from sidewall for every 1.0 m (3.3 ft) depth.
3. Run sensor cable in conduit for mechanical protection.
4. Do not mount in direct sunlight.



INFO@PULSARMEASUREMENT.COM

Pulsar Measurement is a trading name of Pulsar Process Measurement, Ltd.

Copyright © 2021 Pulsar Measurement
Registered Address: 1 Chamberlain Square CS, Birmingham B3 3AX
Registered No.: 3345604 England & Wales

Delivering the Measure of Possibility

United States
+1 888-473-9546

Asia
+60 102 591 332

Canada
+1 855-300-9151

Oceania
+61 428 692 274

United Kingdom
+44 (0) 1684 891371

pulsarmeasurement.com

Rev 2.0