

Greyline

MANTARAY

Technical Specifications:

The MantaRay Portable Area-Velocity Flow Meter measures both level and velocity to calculate flow in an open channel or partially filled pipe. Designed for flow studies, infiltration and inflow studies, or portable area-velocity measurement. Ideal for sewage, stormwater, irrigation, and environmental flows.



GENERAL SPECIFICATIONS

Channel Types:	Round pipe, rectangular, trapezoid, egg, or custom shapes
Electronics Enclosure:	IP67 polycarbonate
Operating Temp. (Electronics):	-20 °C to +60 °C (-5 °F to +140 °F)
Accuracy:	<ul style="list-style-type: none"> Level: $\pm 0.25\%$ of Range or 1 mm (0.04 in). Velocity: $\pm 2\%$ of reading Repeatability and Linearity: $\pm 0.1\%$
Display:	White, backlit matrix — displays flow rate, totalizer, relay states, operating mode, and calibration menu
Programming:	Built-in 5-key calibrator with English, French, or Spanish language selection
Battery:	Internal rechargeable NiMH, 12 V DC, 10,000 mAh
Battery Charger:	6 A (100 W Max), 100-240 V AC 50/60 Hz input, UL and CE listed
Output/Communications:	4-20mA, 500 Ω or 0-5 V DC (100mA) by menu selection 2 solid-state Relays, 40 V AC/DC max., rated 250mA; programmable for flow and/or level alarm or flow proportional pulse (sampler/totalizer, Max frequency 0.4 Hz)
Breakout Box:	Connections for charger input, external battery input, 2 relays, 4-20mA (0-5 V)
Electrical Surge Protection:	Sensor, 4-20mA outputs and AC power input
Data Logger:	Programmable 2-million point data capacity, time and date stamped plus formatted flow reports including Total, Average, Minimum, Maximum and times of occurrence. Includes USB output to Flash Drives.
Logger Intervals:	Programmable: 10 sec, 30 sec, 1 min, 2 min, 5 min, 10 min, 15 min, 30 min, 60 min
Software:	Greyline Logger for Windows. Graph and data table presentation, level/velocity to flow conversion, exports data to Excel, exports graphs.
Approximate Shipping Weight:	6.8 kg (15 lb)

QZ02L TRANSDUCER SPECIFICATIONS

Velocity Measurement Range:	0.03 m/s to 6.2 m/s (0.1 ft/s to 20 ft/s) and reverse flow to -1.5 m/s (-5 ft/s)
Level Measurement Range:	<ul style="list-style-type: none"> Minimum Head: 25.4 mm (1 in) Maximum Head: 4.5 m (15 ft)
Operating Temperature:	-15 °C to +80 °C (+5 °F to +175 °F)
Exposed Materials:	316 stainless steel, epoxy resin, polyurethane
Sensor Cable:	7.6 m (25 ft) submersible polyurethane jacket, shielded, 3-coaxial
Transducer Mounting:	Includes MB-QZ stainless steel mounting bracket
Temperature Compensation:	Automatic, continuous

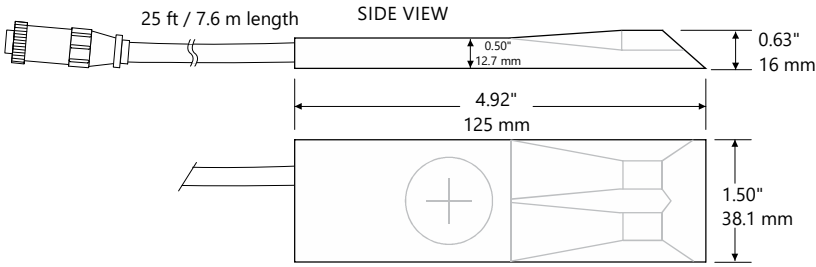
POPULAR OPTIONS

Transducer Cables Extension:

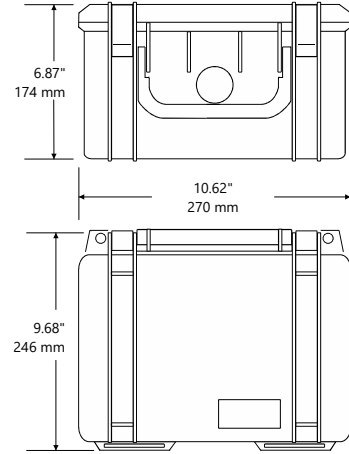
Shielded 15 m (50 ft) submersible, polyurethane jacket with watertight connectors

Sensor Mounting Bands:

Stainless steel sensor mounting bands for pipes from 150 mm to 1,800 mm (6 in to 72 in)



QZ02L-SS-01-PS Velocity/Level Sensor



Electronics Enclosure

Delivering the Measure of Possibility

Pulsar Measurement offers worldwide professional support for all of our products, and our network of reps and distributors all offer full support and training. Our facilities in Malvern, UK and Largo, USA are home to technical support teams who are always available to answer your call or attend your site when required. Our global presence, with direct offices in the UK, USA, Canada, and Malaysia allow us to create close relationships with our customers and provide service, support, training, and information throughout the lifetime of your product.

By taking a step forward in echo processing technology, Pulsar Measurement addresses applications previously thought to be beyond the scope of ultrasonic measurement. This technology improves signal processing at the transducer head which has made it possible to increase resistance to electrical noise, enabling the transducer to 'zone in' on the true echo.

For more information, please visit our website:

www.pulsarmeasurement.com



INFO@PULSARMEASUREMENT.COM

Pulsar Measurement is a trading name of Pulsar Process Measurement, Ltd.

*Copyright © 2020 Pulsar Measurement
Registered Address: 1 Chamberlain Square CS, Birmingham B3 3AX
Registered No.: 3345604 England & Wales*

United States

11451 Belcher Road South
Largo, FL 33773

888-473-9546

Canada

16456 Sixsmith Drive
Long Sault, Ont. K0C 1P0

855-300-9151

United Kingdom

Cardinal Building, Enigma
Commercial Centre
Sandy's Road, Malvern WR14 1JJ

+44 (0) 1684 891371