



Greyline

# STINGRAY 2.0

## Technical Specifications:

The Stingray 2.0 Level-Velocity Logger, operates on standard alkaline batteries for extended time periods to data log level, velocity, and water temperature in open channels, partially full sewer pipes, and surcharged pipes without a flume or weir.



### GENERAL SPECIFICATIONS

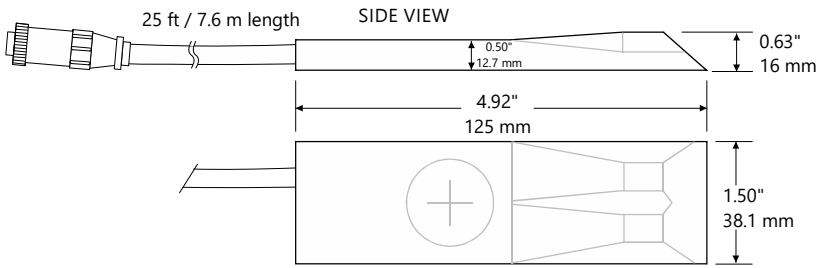
<b>Electronics Enclosure:</b>	IP67 polycarbonate
<b>Accuracy:</b>	Level: $\pm 0.25\%$ of Range. Velocity: $\pm 2\%$ of Reading
<b>Display:</b>	LCD: level, velocity, water temperature, battery, and memory capacity
<b>Operating Temp.(Electronics):</b>	-20 °C to +60 °C (-4 °F to +140 °F)
<b>Instrument Set Up:</b>	Via Greyline Logger software for Windows: Logging Time Interval, Site Name
<b>Logger Interval:</b>	<ul style="list-style-type: none"><li>• 10 sec: 15 days</li><li>• 30 sec: 45 days</li><li>• 1 min: 3 months</li><li>• 2 min: 6 months</li><li>• 5 min: 1 year</li><li>• 10 min: 2 years</li><li>• 15 min: 3 years</li><li>• 30 min: 4 years</li><li>• 60 min: 4 years</li></ul>
<b>Data Logger Capacity:</b>	130,000 data points
<b>Power Input:</b>	4 Alkaline 'D' cell batteries
<b>Output/Communications:</b>	USB
<b>USB Cable:</b>	914.4 mm (36 in) shielded
<b>Software:</b>	Greyline Logger for Windows. Supports real-time monitoring, log, file, download, and export graph and data table presentation; level / velocity to flow conversion
<b>Approximate Shipping Weight:</b>	4.5 kg (10 lb)

### TRANSDUCER SPECIFICATIONS

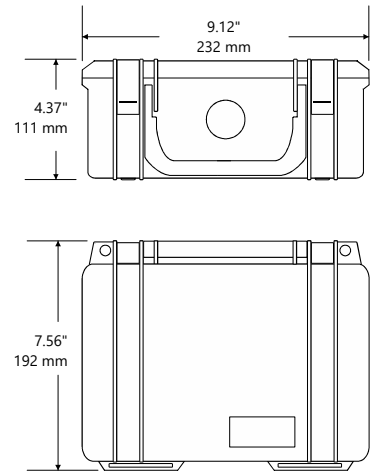
<b>Velocity Measurement Range:</b>	0.031 m/s to 3.8 m/s (0.1 ft/s to 12.5 ft/s) in fluids containing bubbles or solids with a minimum size of 100 microns and a minimum concentration of 75 ppm to act as acoustic reflectors
<b>Level Measurement Range:</b>	<ul style="list-style-type: none"><li>• Minimum Head: 25.4 mm (1 in)</li><li>• Maximum Head: 4.6 m (15 ft)</li></ul>
<b>Operating Temperature:</b>	-15 °C to +80 °C (+5 °F to +175 °F)
<b>Exposed Materials:</b>	316 stainless steel, polyurethane, epoxy
<b>Sensor Cable:</b>	7.6 m (25 ft) submersible polyurethane jacket, shielded, 3-coaxial
<b>Transducer Mounting:</b>	Includes MB-QZ stainless steel mounting bracket
<b>Temperature Compensation:</b>	Automatic, continuous

### POPULAR OPTIONS

<b>Transducer Cables Extension:</b>	Shielded 15.2 m (50 ft) submersible, polyurethane jacket with watertight connectors
<b>Sensor Mounting Bands:</b>	Stainless steel sensor mounting bands for pipes from 152.4 mm to 1.8 m (6 in to 6 ft)
<b>Extended Temperature Sensor:</b>	QZ02L-HT, CPVC construction rated to 80 °C (175 °F)



QZ02L-SS-01-PS Velocity/Level Sensor



Electronics Enclosure

## Delivering the Measure of Possibility

Pulsar Measurement offers worldwide professional support for all of our products, and our network of global partners all offer full support and training. Our facilities in Malvern, UK and Largo, USA are home to technical support teams who are always available to answer your call or attend your site when required. Our global presence, with direct offices in the UK, USA, Canada, and Malaysia, allows us to create close relationships with our customers and provide service, support, training, and information throughout the lifetime of your product.

By taking a step forward in echo processing technology, Pulsar Measurement addresses applications previously thought to be beyond the scope of ultrasonic measurement. This technology improves signal processing at the transducer head which has made it possible to increase resistance to electrical noise, enabling the transducer to 'zone in' on the true echo.

For more information, please visit our website:

[www.pulsarmeasurement.com](http://www.pulsarmeasurement.com)



INFO@PULSARMEASUREMENT.COM

*Pulsar Measurement is a trading name of Pulsar Process Measurement, Ltd.*

*Copyright © 2021 Pulsar Measurement  
Registered Address: 1 Chamberlain Square CS, Birmingham B3 3AX  
Registered No.: 3345604 England & Wales*

**United States**  
+1 888-473-9546

**Asia**  
+60 102 591 332

**Canada**  
+1 855-300-9151

**Oceania**  
+61 428 692 274

**United Kingdom**  
+44 (0) 1684 891371

**pulsarmeasurement.com**