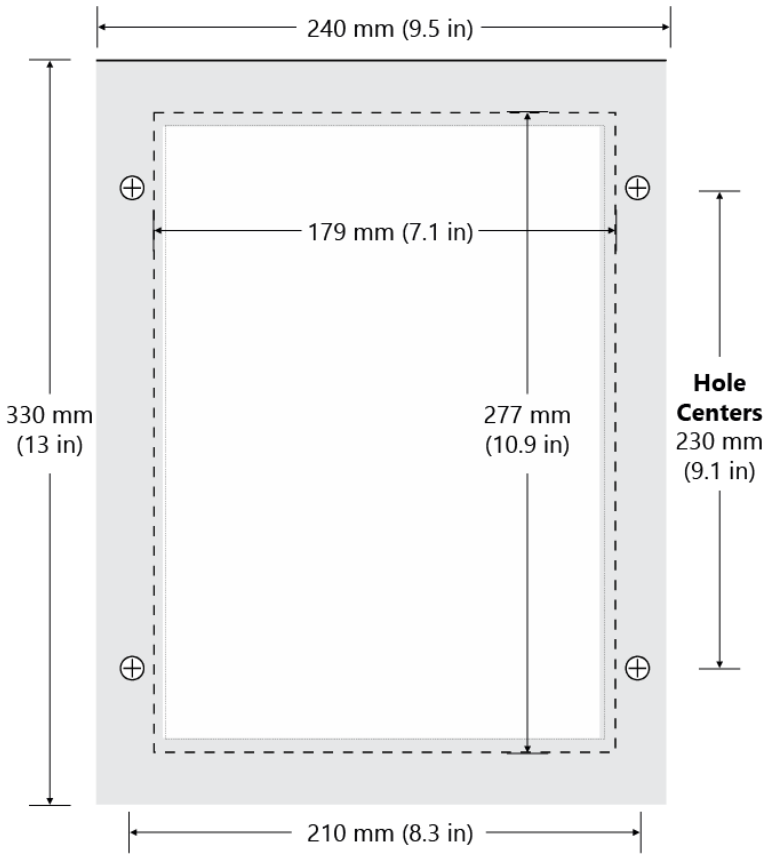


Enclosure Panel Mount

DATASHEET

For permanently installed Greyline meters: TTFM, DFM, AVFM, OCF, PSL, and DLT



Flange / Bezel

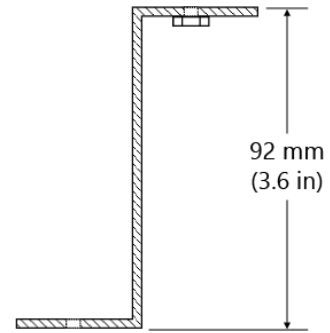
Quantity: 1 included

Material: 0.062 aluminum

Finish: Clear iridite

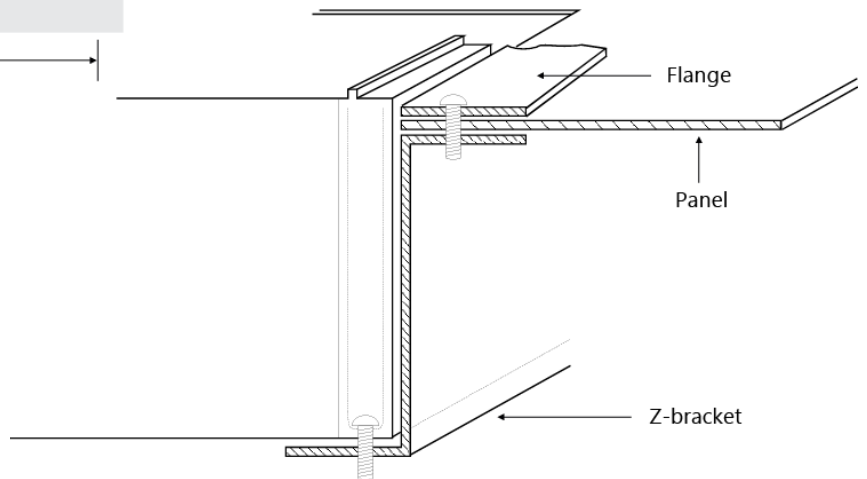
Instructions

Mark Panel using Flange as a Template.
Cut Panel outside the line.



Z-bracket

Quantity: 2 included with mounting screws



Installation

Instrument Enclosure: NEMAX (IP 66)



INFO@PULSARMEASUREMENT.COM

Pulsar Measurement is a trading name of Pulsar Process Measurement, Ltd.

Copyright © 2021 Pulsar Measurement
Registered Address: 1 Chamberlain Square CS, Birmingham B3 3AX
Registered No.: 3345604 England & Wales

Delivering the Measure of Possibility

United States
+1 888-473-9546

Asia
+60 102 591 332

Canada
+1 855-300-9151

Oceania
+61 428 692 274

United Kingdom
+44 (0) 1684 891371

pulsarmeasurement.com

Rev 1.0